



info@ayanie.com
www.ayanieled.com



Gemini LED Tunnel Light

Gemini LED Tunnel light with highly reliable environment-friendly material casing, the transparent part is stainless steel strengthened glass, the whole LED lamp is waterproof and dust proof, it is also antiseptic and anti-rust.

Gemini LED Tunnel Light



Modular design, it is convenient for maintenance and assembly

High lumen, long lifetime, whole lamp over 120lm/w.

Pure aluminum, high purity high corrosion resistance



The bracket with adjustable angle, multi-holes for installation optional

Features:

- Modular style design, easy to assemble, replace
- With Aluminum fins heatsink, increasing heat sinking area
- Integrated stamping 1060 Aluminum, high thermal conductivity
- All screw&nuts are made of #304 stainless steel, keep it stable
- Adjustable bracket with holes meet different lighting application
- Lens has high light transmittance, flame retardant, anti abrasion
- UV-proof, provide excellent light distribution
- High quality level waterproof connectors
- IP65 rating

Materials:

- Body: Aluminum
- Cover: PC

Colors:

- Silver

Options:

- 1-10V
- DALI

Accessory:

Bracket



LED

A++
A+

CE

RoHS
compliant

IP65

30°

60°

90°

⏚

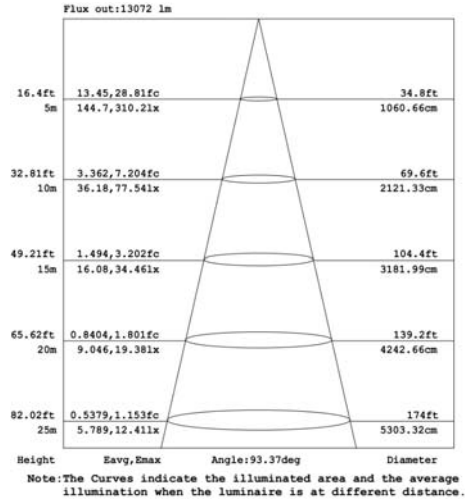
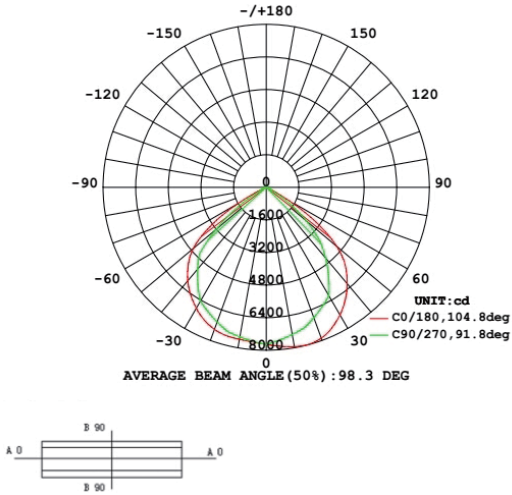
⌚

5
YEARS
WARRANTY

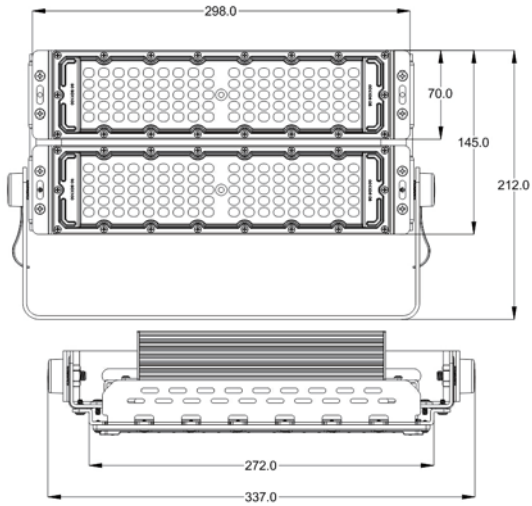
Item Code	Description							
	Power w	Voltage vac	Frequency hz	Lumen Flux lm	Color Temp k	CRI ra	Operating c°	Warranty yrs
TL-G50W	50	100-305	50/60	6000±5%	ww nw cw	80	-40 ~ +50	5
TL-G100W	100	100-305	50/60	12000±5%	ww nw cw	80	-40 ~ +50	5
TL-G200W	200	100-305	50/60	24000±5%	ww nw cw	80	-40 ~ +50	5
TL-G300W	300	100-305	50/60	36000±5%	ww nw cw	80	-40 ~ +50	5
TL-G400W	400	100-305	50/60	48000±5%	ww nw cw	80	-40 ~ +50	5
TL-G500W	500	100-305	50/60	60000±5%	ww nw cw	80	-40 ~ +50	5

Gemini LED Tunnel Light

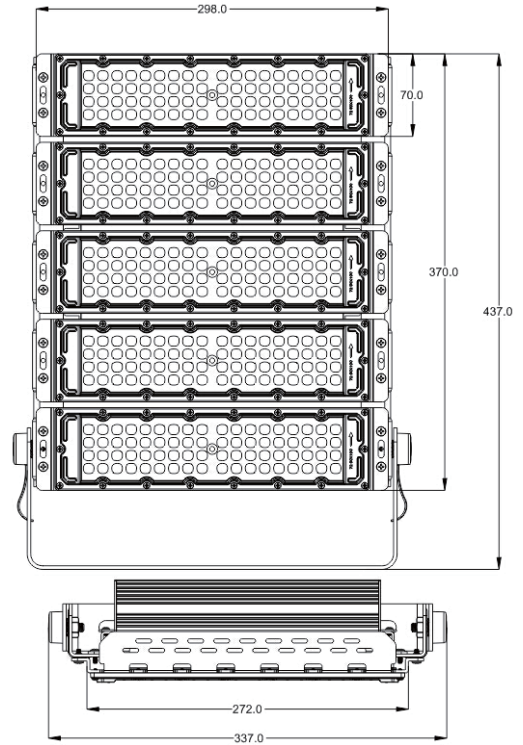
Light distributions:



Dimensions (unit mm)



100w



250w