

AYANIE





Haumea LED High Bay

Built from massive and efficient heat sink combined with copper heatpipes, It provides a better energy saving and light quality for exhibition halls, indoor stadiums, warehouses, factories, and many other industrial areas.

Haumea LED High Bay



Features:

- Elegant design, excellent finish
- Copper heatpipe technology
- High performance heat sink
- Pure aluminum reflector, polycarbonate made reflector available
- 50,000 hours lifespan, maintenance free
- LED brand Philips
- Powered by Meanwell
- No ultraviolet (UV) or infrared (IR) rays

Materials:

- Body: aluminum
- Cover: polycarbonate
- Reflector: aluminum

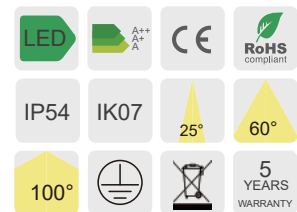
Options:

- 1-10V
- DALI

Color:

- Black

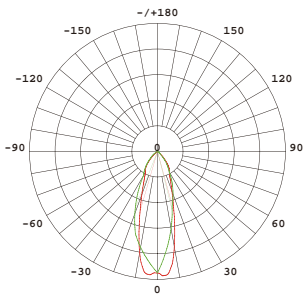
Accessories:



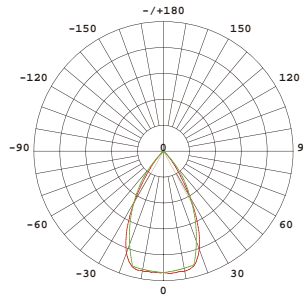
Item Code	Description							
	Power w	Voltage vac	Frequency hz	Lumen Flux lm	Color Temp k	CRI ra	Operating c°	Warranty yrs
HB-R60W	60	85-265	50/60	7200±5%	ww nw cw	80	-20 ~ +50	5
HB-R100W	100	85-265	50/60	12000±5%	ww nw cw	80	-20 ~ +50	5
HB-R150W	150	85-265	50/60	18000±5%	ww nw cw	80	-20 ~ +50	5
HB-R200W	200	85-265	50/60	24000±5%	ww nw cw	80	-20 ~ +50	5
HB-R250W	250	85-265	50/60	30000±5%	ww nw cw	80	-20 ~ +50	5

Haumea LED High Bay

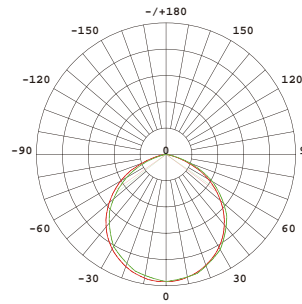
Light distributions:



25°

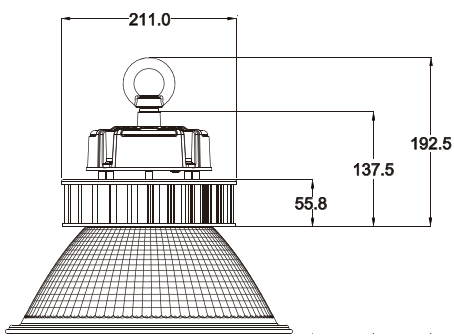


60°

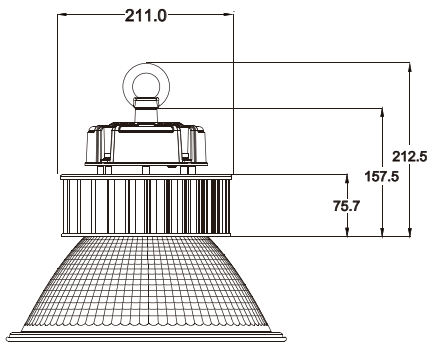


100°

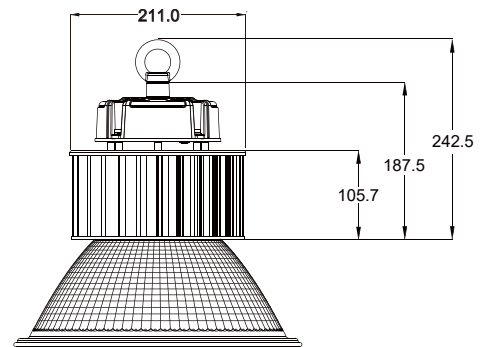
Dimensions (unit mm)



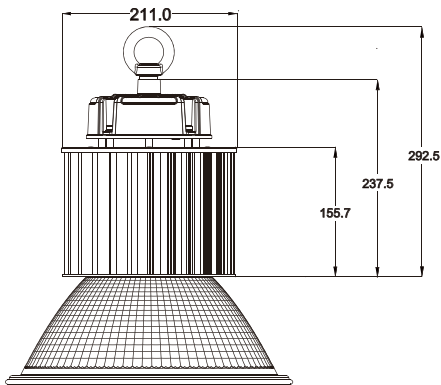
HB-R60W



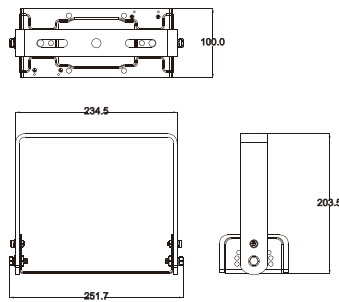
HB-R100W



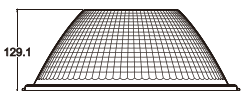
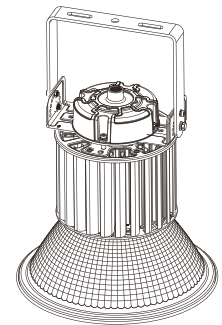
HB-R150W



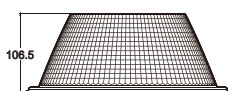
HB-R200W



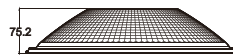
HB-R250W



25° reflector



60° reflector



100° reflector

