

Jupiter LED Flood Light

Well designed slim and wide beam angle, LED flood light for building facades, parks, parking lots, billboards, corridors, public areas and outdoor general lighting.

Jupiter LED Flood Light



Features:

- IP65 rating
- Streamline and slim design
- No screws, elegant looking
- Meanwell driver, Philips 3030 LED
- Advanced respirator technology
- No ultraviolet (UV) or infrared (IR) rays
- Powder coated, excellent anti-corrosion performance

Materials:

- Cover: Tempered glass
- Body: Aluminum-Alloy Die Casting

Options:

- 1-10V
- DALI

Colors:

- Black

Accessory:



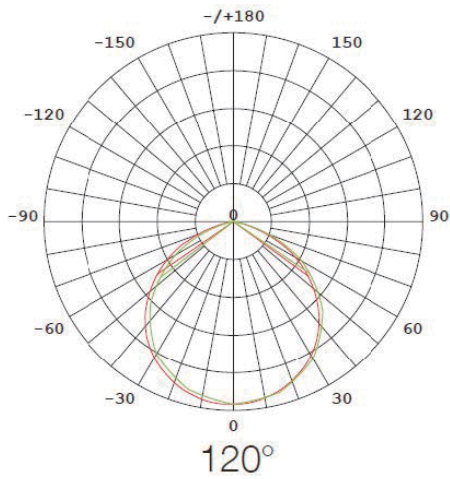
Bracket



Item Code	Description							
	Power w	Voltage vac	Frequency hz	Lumen Flux lm	Color Temp k	CRI ra	Operating c°	Warranty yrs
FP-A50W	50	85-265	50/60	6000±5%	ww nw cw	80	-20 ~ +50	5
FP-A80W	80	85-265	50/60	9600±5%	ww nw cw	80	-20 ~ +50	5
FP-A100W	100	85-265	50/60	12000±5%	ww nw cw	80	-20 ~ +50	5
FP-A150W	150	85-265	50/60	18000±5%	ww nw cw	80	-20 ~ +50	5
FP-A200W	200	85-265	50/60	24000±5%	ww nw cw	80	-20 ~ +50	5

Jupiter LED Flood Light

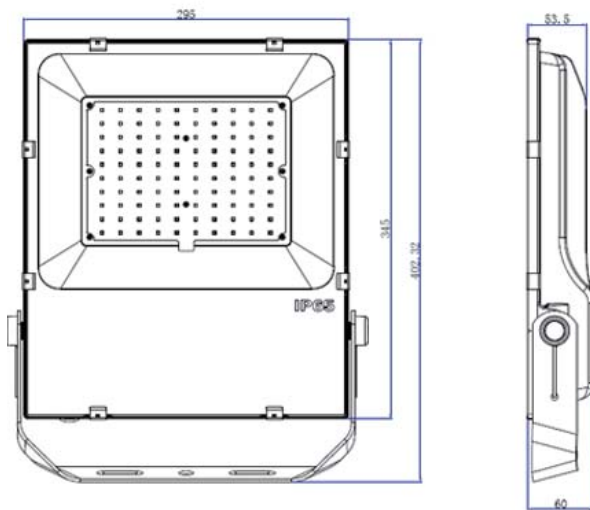
Light distributions:



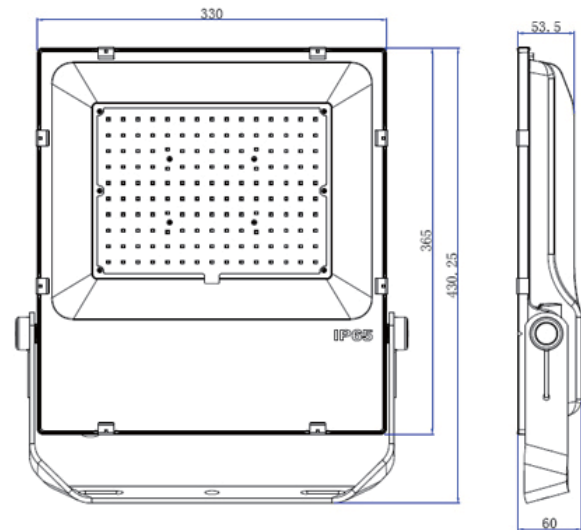
Lamp illumination:

6.562ft 2m	56.90,123.1fc 612.4,1325lx	15.61ft 475.79cm
13.12ft 4m	14.22,30.77fc 153.1,331.2lx	31.22ft 951.57cm
19.69ft 6m	6.322,13.68fc 68.05,147.2lx	46.83ft 1427.36cm
26.25ft 8m	3.556,7.693fc 38.28,82.81lx	62.44ft 1903.14cm
32.81ft 10m	2.276,4.924fc 24.50,53.00lx	78.05ft 2378.93cm

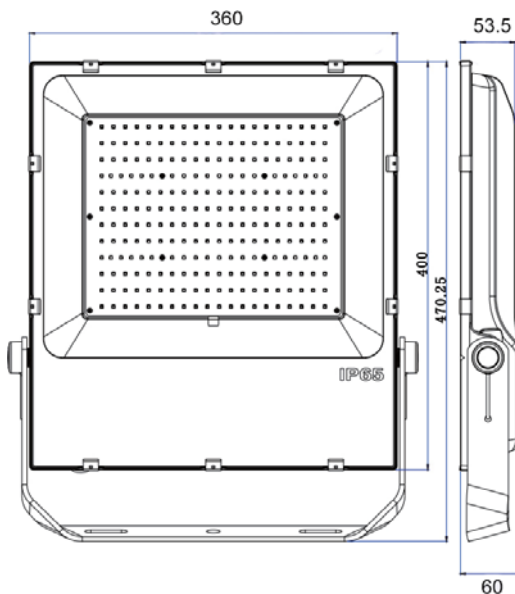
Dimensions (unit mm)



100w



150w



200w