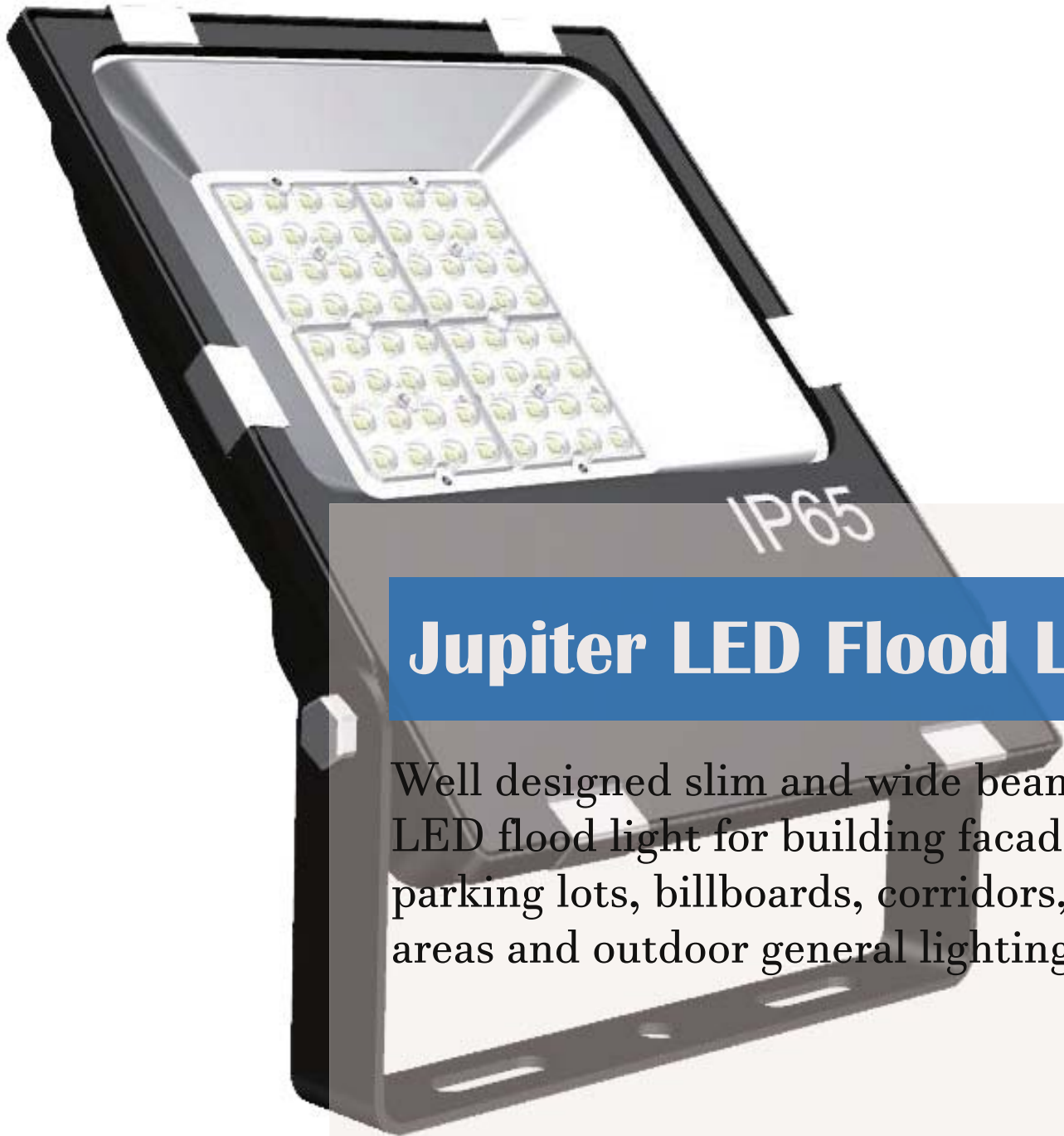




info@ayanie.com

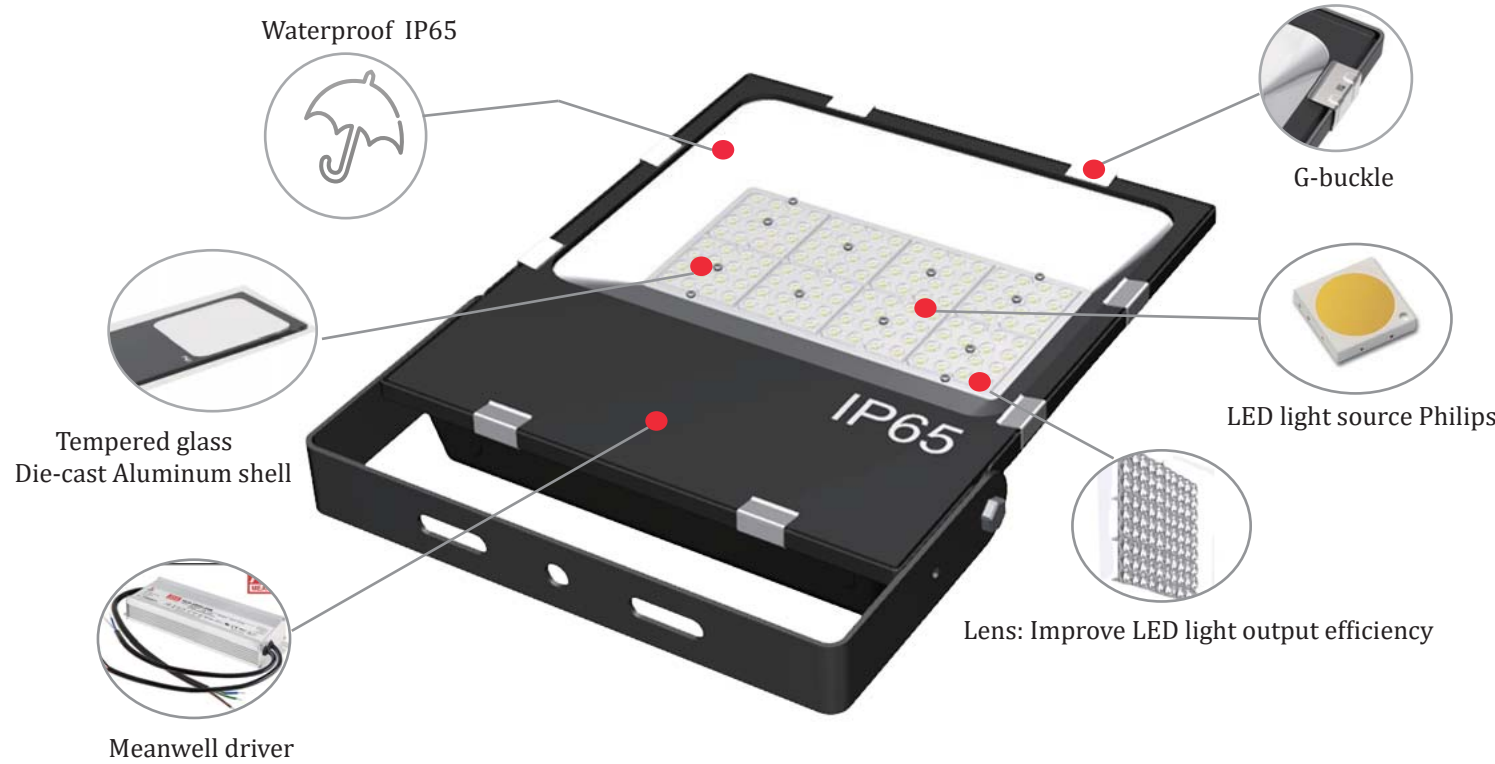
www.ayanieled.com



Jupiter LED Flood Light

Well designed slim and wide beam angle LED flood light for building facades, parks, parking lots, billboards, corridors, public areas and outdoor general lighting.

Jupiter LED Flood Light



Features:

- IP65 rating
- Streamline and slim design
- No screws, elegant looking
- Meanwell driver, Philips 3030 LED
- Advanced respirator technology
- No ultraviolet (UV) or infrared (IR) rays
- Powder coated, excellent anti-corrosion performance

Materials:

- Body: Aluminum-Alloy Die Casting
- Cover: Tempered Glass

Options:

- 1-10V
- DALI

Colors:

- Black

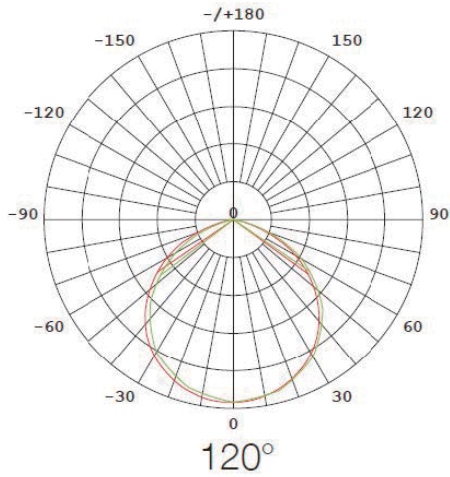
Accessory:



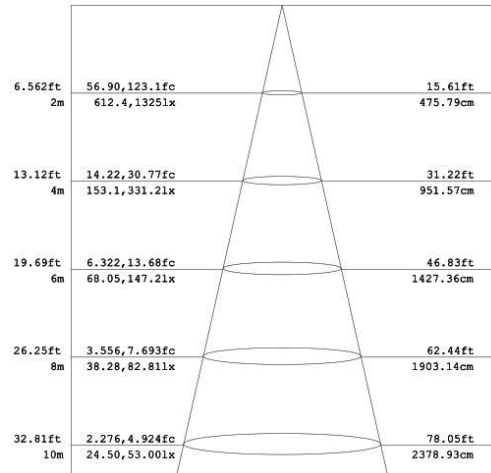
Item Code	Description							
	Power w	Voltage vac	Frequency hz	Lumen Flux lm	Color Temp k	CRI ra	Operating c°	Warranty yrs
FP-K50W	50	85-265	50/60	6000±5%	ww nw cw	80	-20 ~ +50	5
FP-K80W	80	85-265	50/60	9600±5%	ww nw cw	80	-20 ~ +50	5
FP-K100W	100	85-265	50/60	12000±5%	ww nw cw	80	-20 ~ +50	5
FP-K150W	150	85-265	50/60	18000±5%	ww nw cw	80	-20 ~ +50	5
FP-K200W	200	85-265	50/60	24000±5%	ww nw cw	80	-20 ~ +50	5

Jupiter LED Flood Light

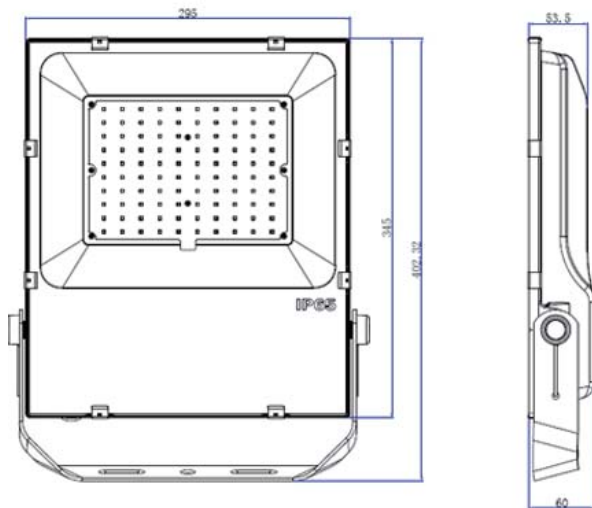
Light distributions:



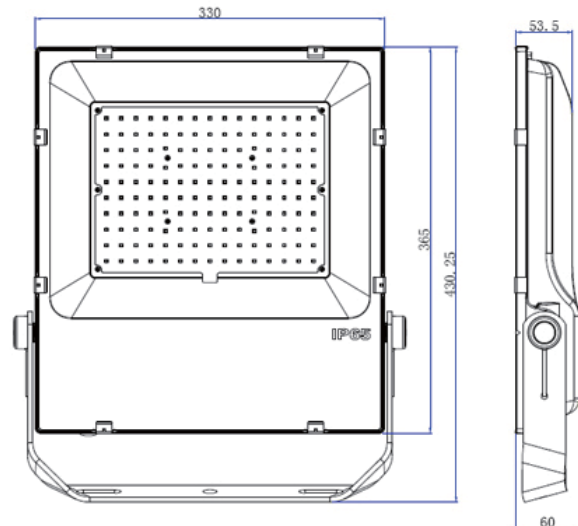
Lamp illumination:



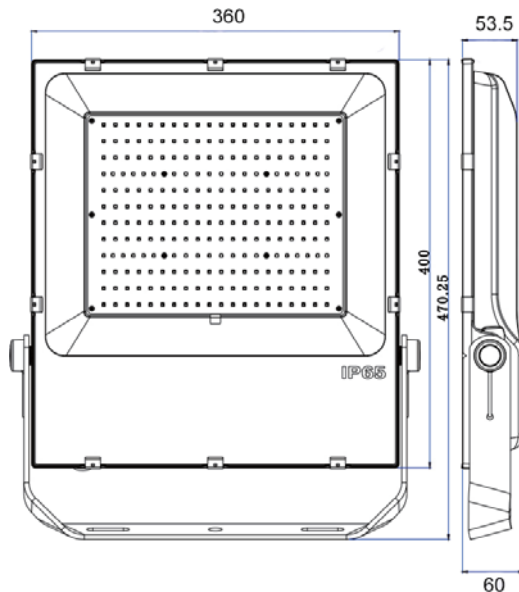
Dimensions (unit mm)



100w



150w



200w