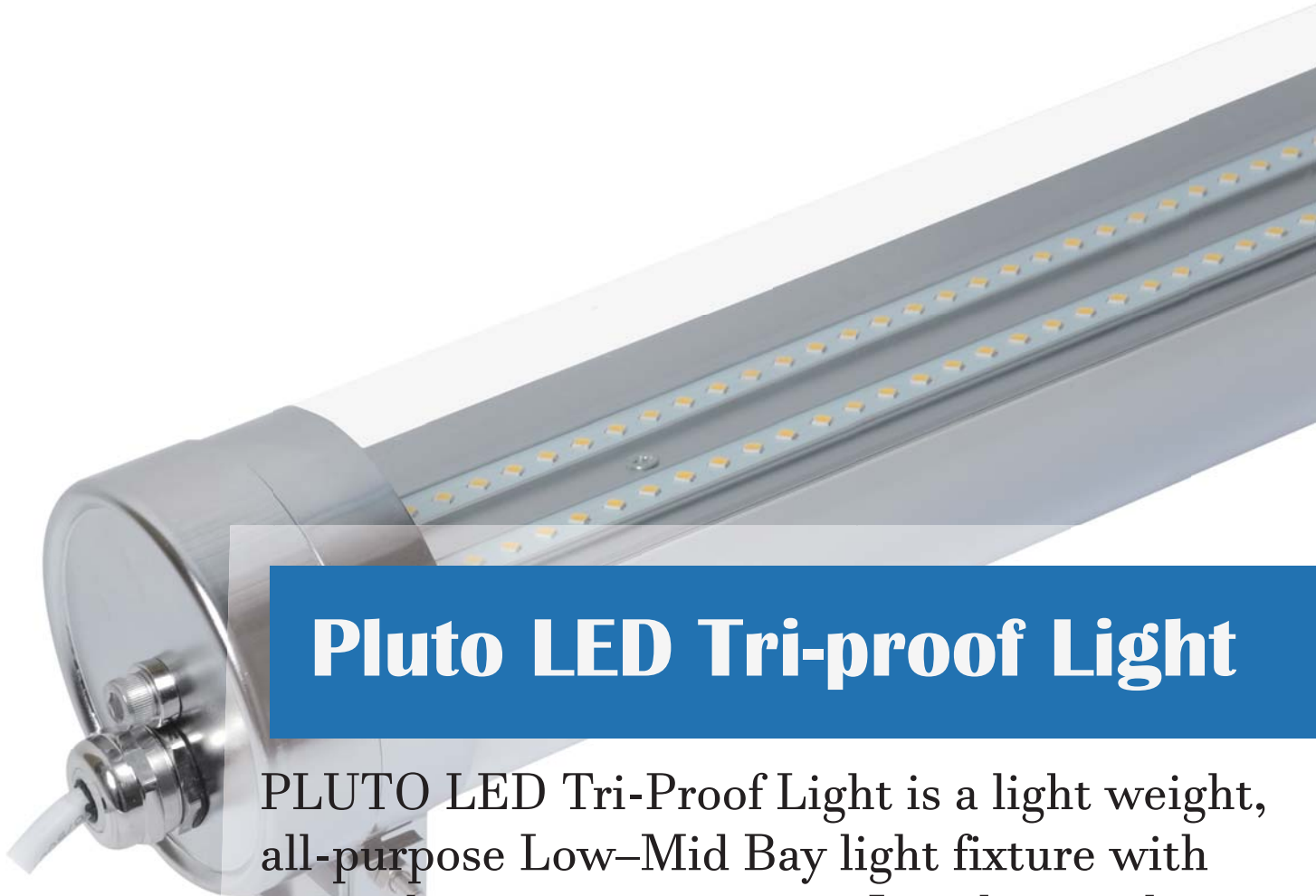




[info@ayanie.com](mailto:info@ayanie.com)  
[www.ayanieled.com](http://www.ayanieled.com)



## Pluto LED Tri-proof Light

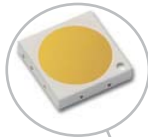
PLUTO LED Tri-Proof Light is a light weight, all-purpose Low-Mid Bay light fixture with versatile mounting options. It is designed to replace fluorescent fixtures of much higher wattages for multiple applications. This ultra-energy efficient high output luminaire consumes low wattage and provides comfortable uniform lighting in most working environments.

# Pluto LED Tri-proof light

LED light source Epistar



Lifud Driver inside



Waterproof degree IP69K and IP67



Stainless Steel End Caps

PMMA housing

## Features:

- Unique design that can replace traditional fixture lamp
- Special made that can be fire-proof, water-proof and dust-proof
- 304 Stainless Steel End Cap
- Both PMMA & PC cover available
- IP69K, IP67, IK10 rated
- DALI/0-10V/PWM/Triac Dimming available
- Ideal for Parking Lot, Warehouse and Workshop

## Materials:

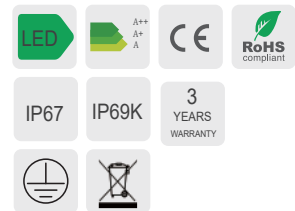
- Body: PC & PMMA
- End Cap: 304 Stainless Steel

## Options:

- 0-10V
- DALI
- Triac

## Cover:

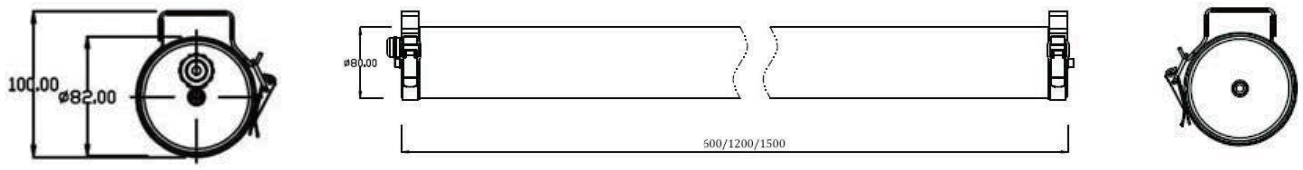
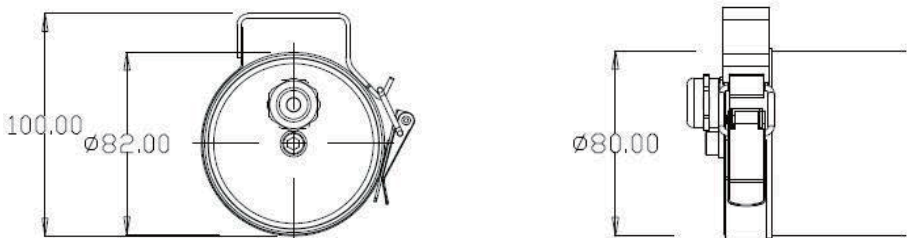
- Milky
- Clear



Item Code	Description							
	Power w	Voltage vac	Frequency hz	Lumen Flux lm	Color Temp k	CRI ra	Operating c°	Warranty yrs
TP-P20W	20	220-240	50/60	2500±5%	ww nw cw	80	-20~ +50	3
TP-P40W	40	220-240	50/60	5100±5%	ww nw cw	80	-20~ +50	3
TP-P60W	60	220-240	50/60	7600±5%	ww nw cw	80	-20~ +50	3

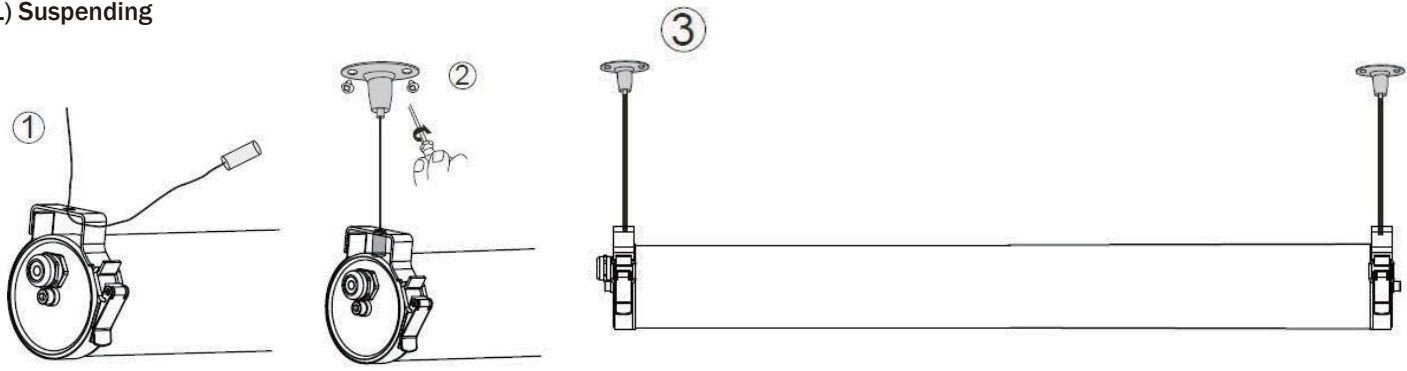
# Pluto LED Tri-proof light

Dimensions (unit mm)



## Installation:

### (1) Suspending



### (2) Surface Mounted

