





Saturn LED Flood Light

The most robust and efficient LED flood light designed for building facades, parks, parking lots, billboards, corridors, public areas and outdoor general lighting.

Saturn LED Flood Light



Features:

- Adjustable 270° angle
- The color is novel and high value
- Small volume, save shipping cost
- 5 minutes installation, save labor cost
- High brightness chip to improve light efficiency
- Low power consumptions, 50000 hours life

Materials:

- Body: Aluminum
- Cover: Tempered Glass

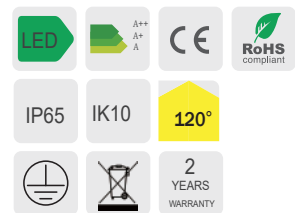
Colors:

- Black

Options:

- 1-10V
- DALI

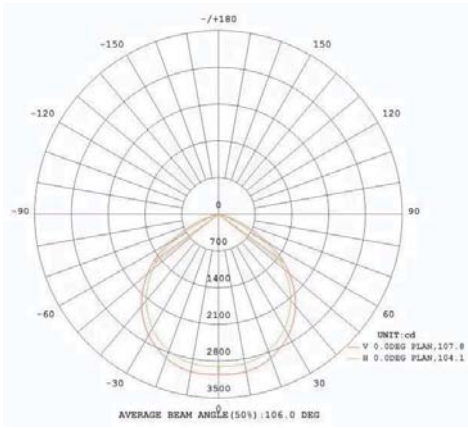
Accessory:



Item Code	Description							
	Power w	Voltage vac	Frequency hz	Lumen Flux lm	Color Temp k	CRI ra	Operating c°	Warranty yrs
FR-E50W	50	85-265	50/60	5500±5%	ww nw cw	80	-40 ~ +50	2
FR-E100W	100	85-265	50/60	11000±5%	ww nw cw	80	-40 ~ +50	2
FR-E150W	150	85-265	50/60	16500±5%	ww nw cw	80	-40 ~ +50	2
FR-E200W	200	85-265	50/60	22000±5%	ww nw cw	80	-40 ~ +50	2

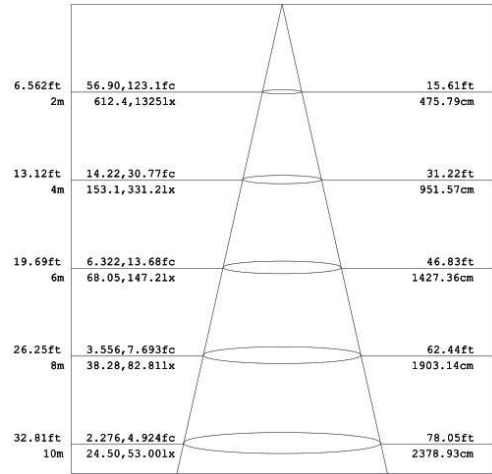
Saturn LED Flood Light

Light distributions:

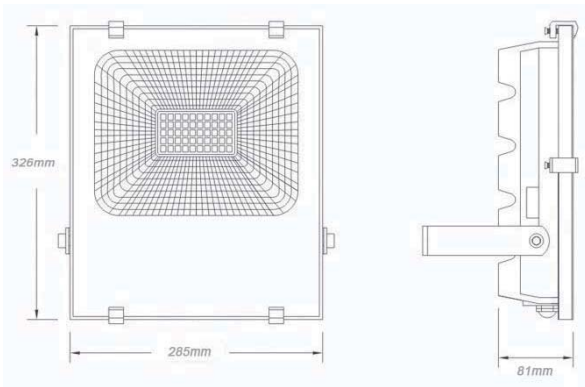


120°

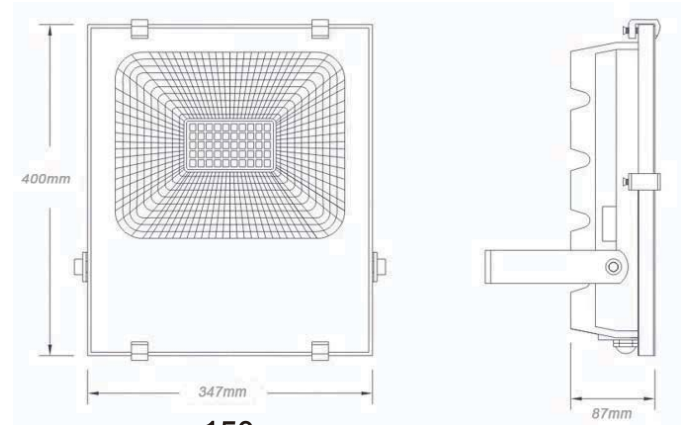
Lamp illumination:



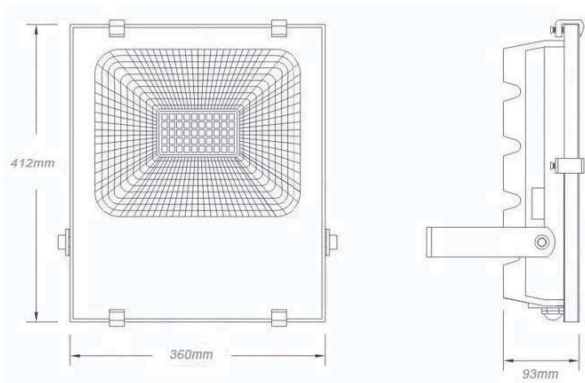
Dimensions (unit mm)



100w



150w



200w