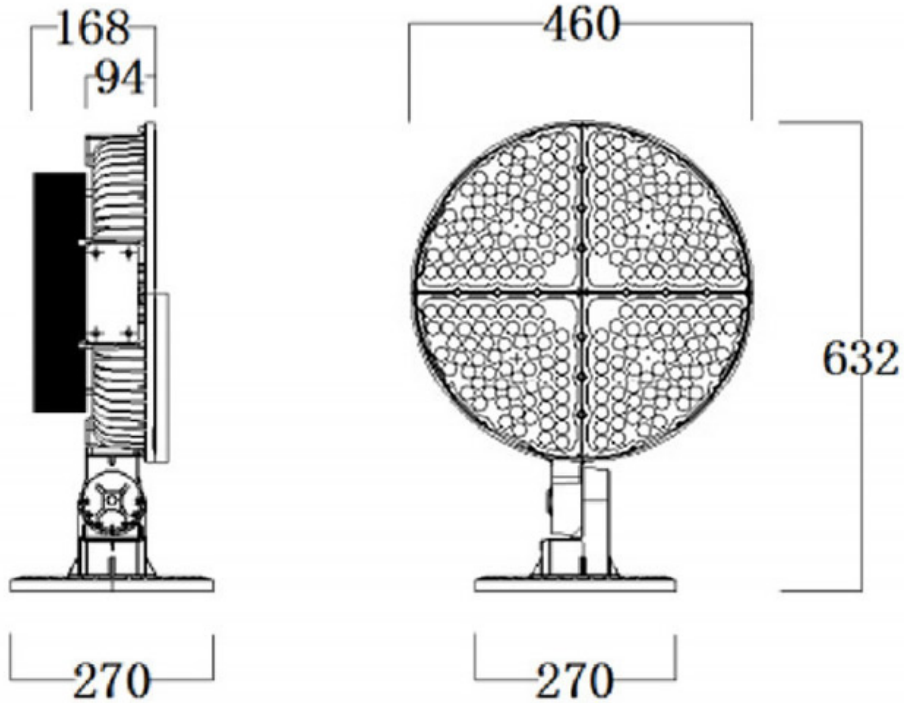


Dimension Alcor LED Stadium Light



Unit: mm

500W / 600W



1000W / 1200W

