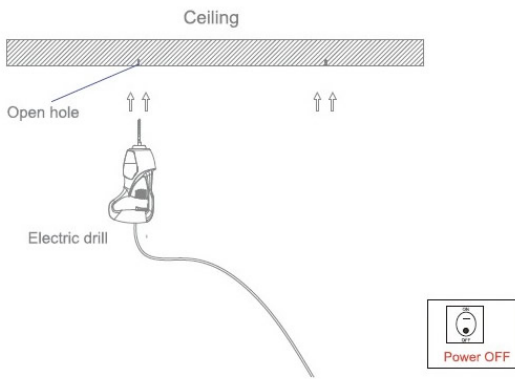


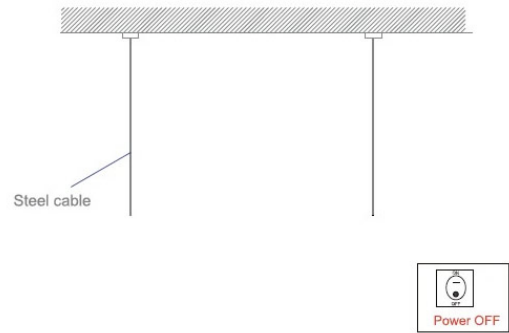
# Installation Eris LED Tri-Proof Light



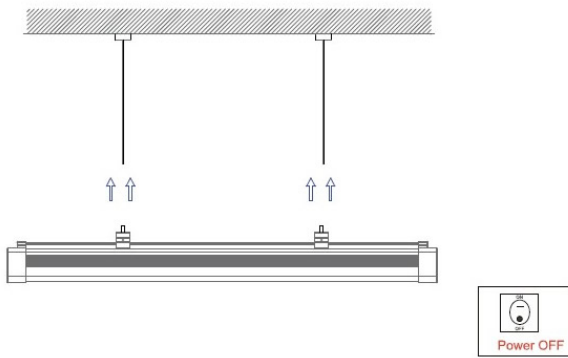
## A. Suspending



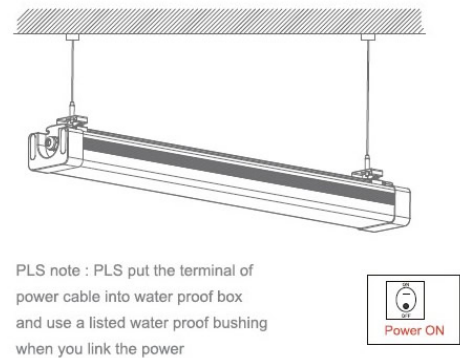
A : Make a right position and screw hole



B : Screw the steel cable onto the ceiling



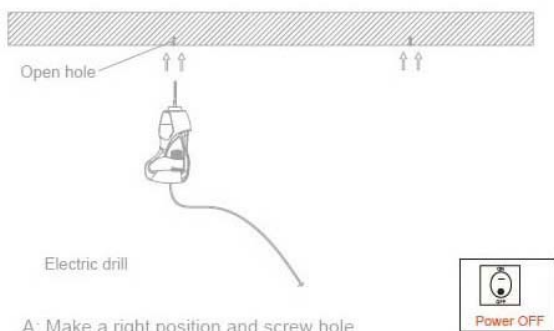
C : Hung the fixture under the steel cable and secure the fixture by steel cable



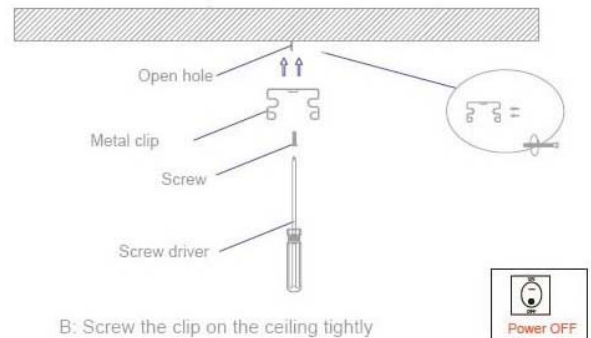
PLS note : PLS put the terminal of power cable into water proof box and use a listed water proof bushing when you link the power

D: Adjust the position of the fixture and clean it..

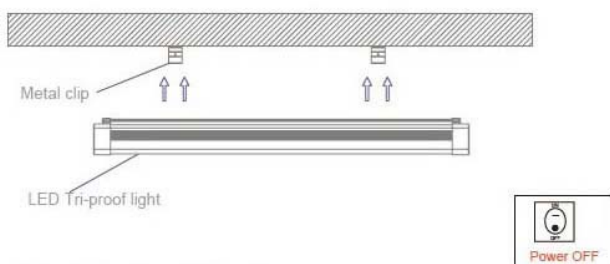
## B. Ceiling Mounted



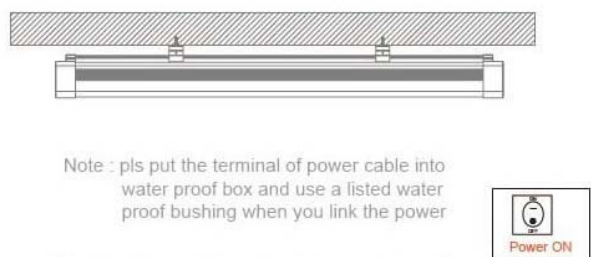
A: Make a right position and screw hole



B: Screw the clip on the ceiling tightly



C: Install the lamp into the clips.



Note : pls put the terminal of power cable into water proof box and use a listed water proof bushing when you link the power

D: Adjust the position of the fixture and clean it..