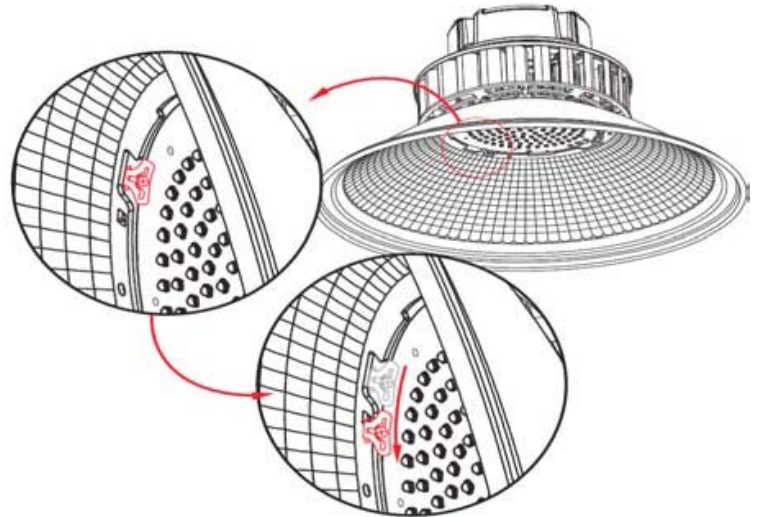
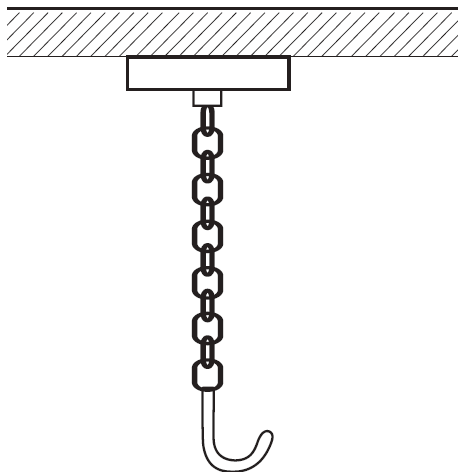


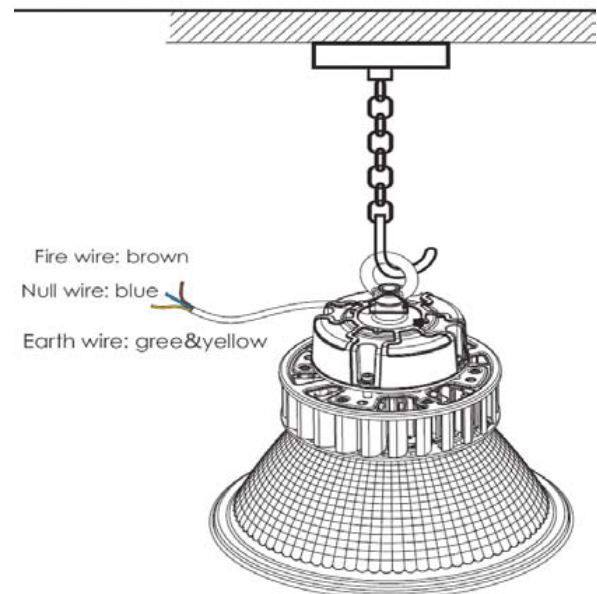
Step 1, Prepare the accessories of led highbay and installation tools firstly.



Step 2, Adjust the reflector to heat radiator, then turn left to lock up or screw



Step 3, Pre-install the hook on planned position.to fix.



Step 4, Suspend the highbay and make sure not slip off the hook. Wiring and double insulating the cables after lamp well fixed