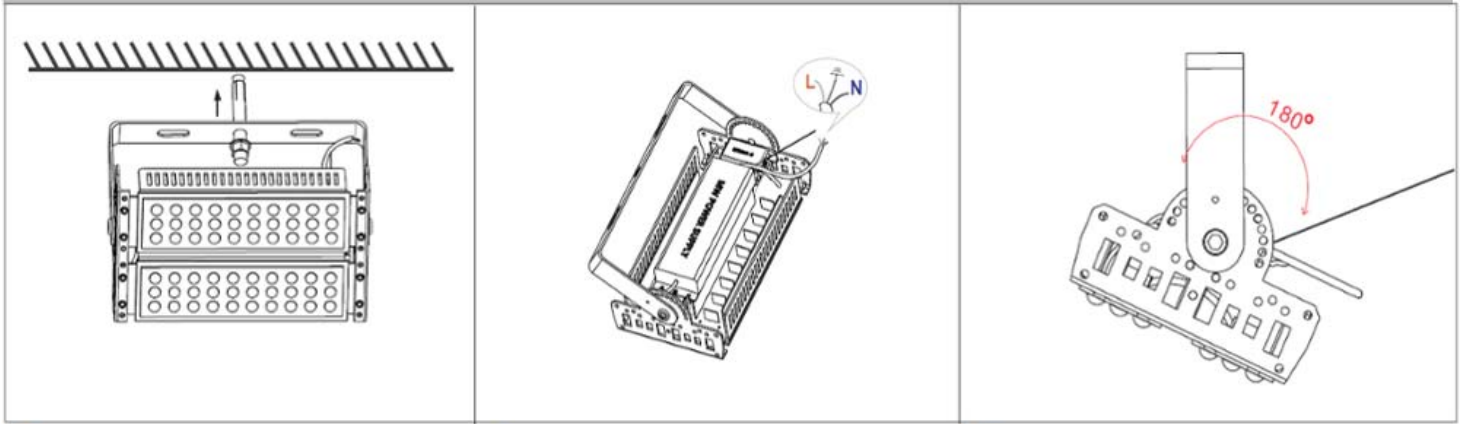


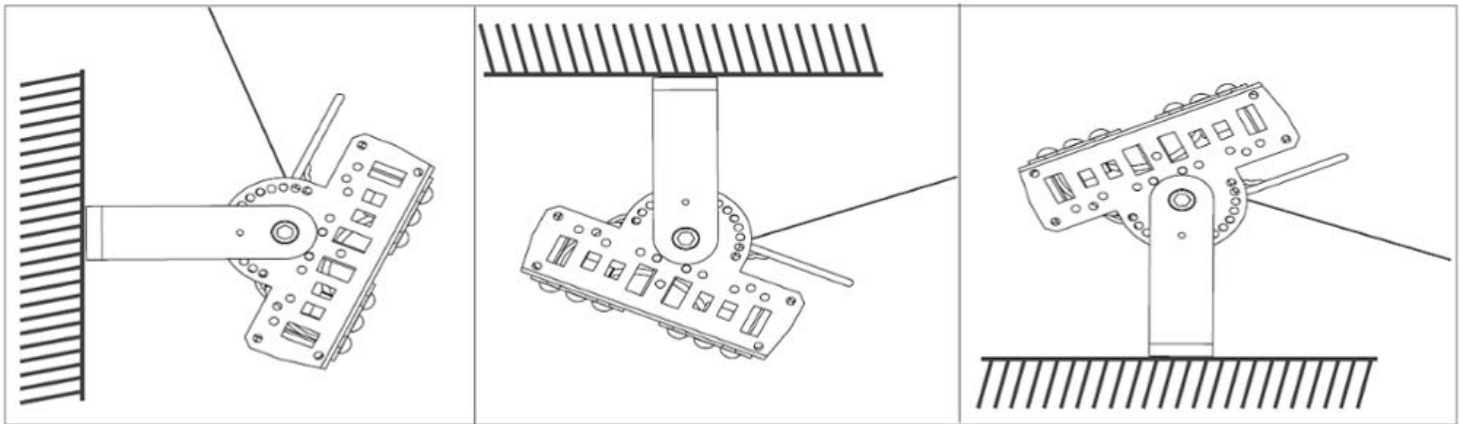
Installation Mercury LED Tunnel Light



1 Fix the screw

2 Connect the wire

3 Rotate the angle



1 Wall type

2 Pedestal type

3 Suction ceiling type